



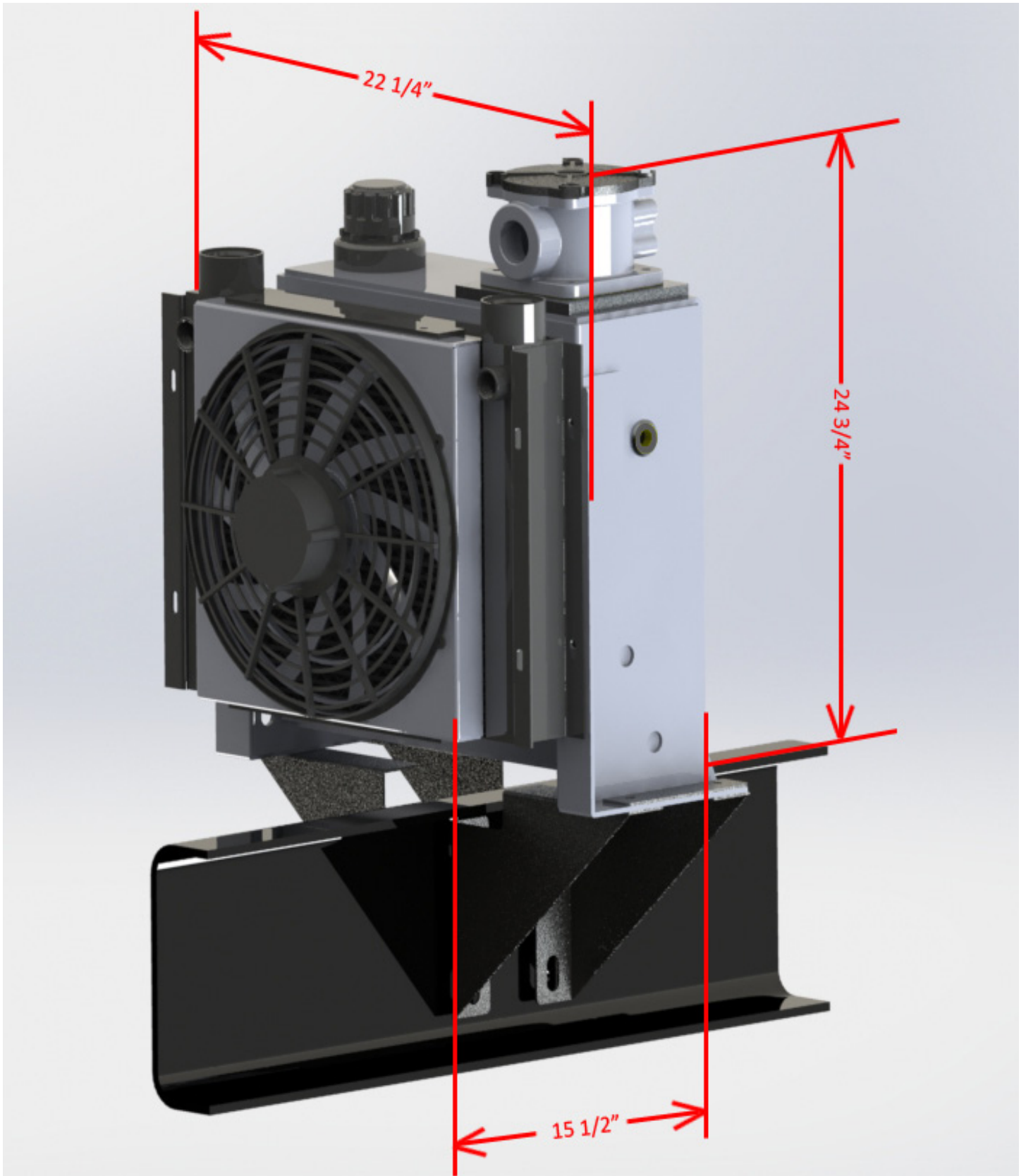
SEVERE DUTY COOLER



- Improves cooling over competitive models by more than 200%
- Improves flow rates to 60 gallons per minute at a nominal pressure loss (restriction)
- Efficient 12vdc fans provide better air flow (better cooling)
- IP68 water proof fan and electrical connections
- 8 gallon tank capacity meets State vocational oil tank limits
- Light weight assembly - weighs less than 100 lbs dry saving ~500 lbs
- All O-ring and JIC connections - virtual leak-proof plumbing
- Large hose and fitting sizes for minimal pressure losses
- Custom tank and mounting configurations available
- Integrated cartridge-style filtration
- Built-in pressure protection for the cooler and filter against cold oil blockage and return line surges
- Electrical temperature sensors to monitor/operate the fans and system warnings

888.533.9355 • www.ledwell.com

EFFICIENT BY DESIGN



888.533.9355 • www.ledwell.com